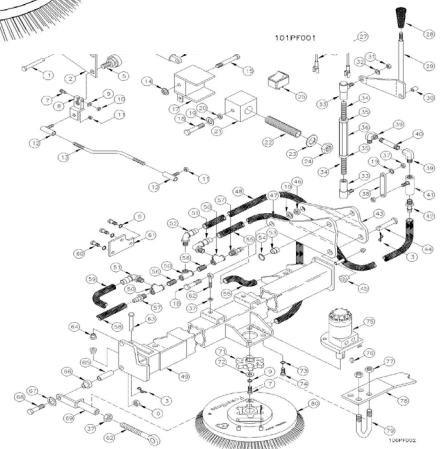
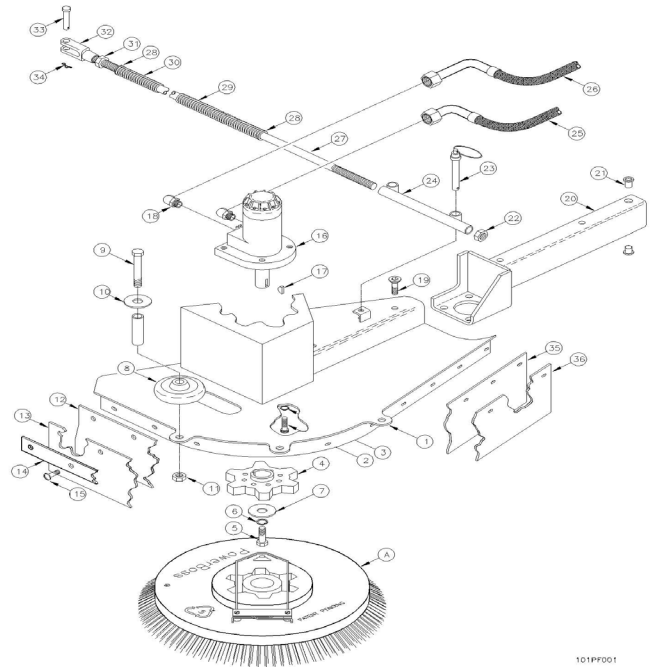
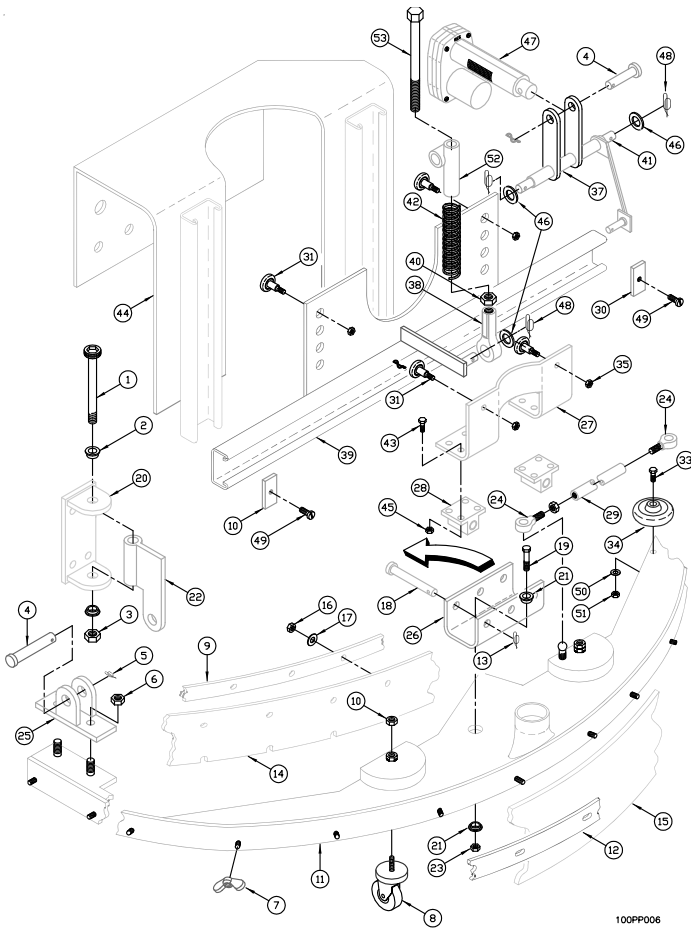


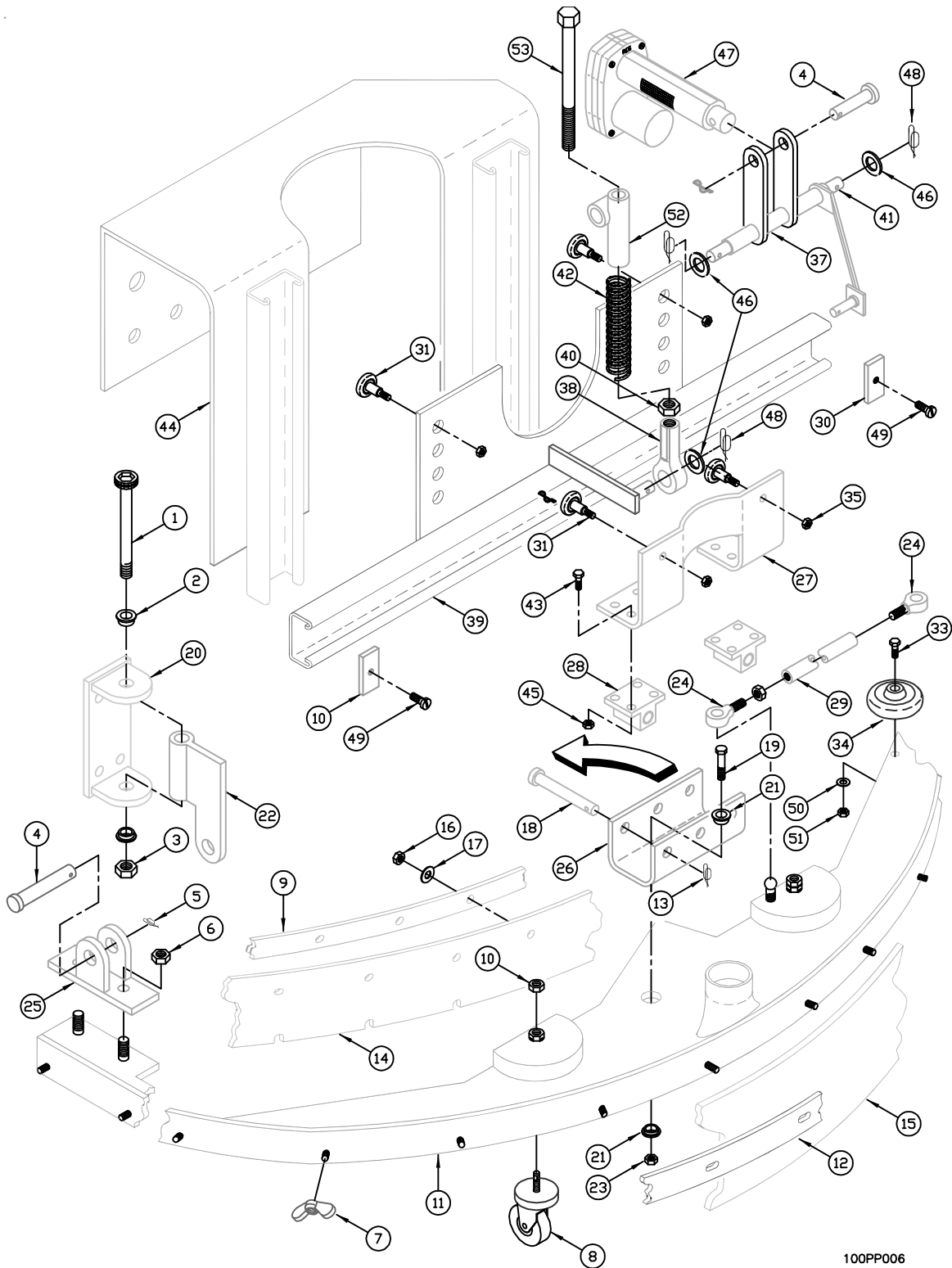
# Supplement Spare Parts Catalog Edge Scrub TSS/85 & TSS/95

To Be Used In Addition To The TSS/82 & TSS/90 Spare Parts Catalog

Units 1996 And Later



REAR SQUEEGEE ASSEMBLY 85 & 95



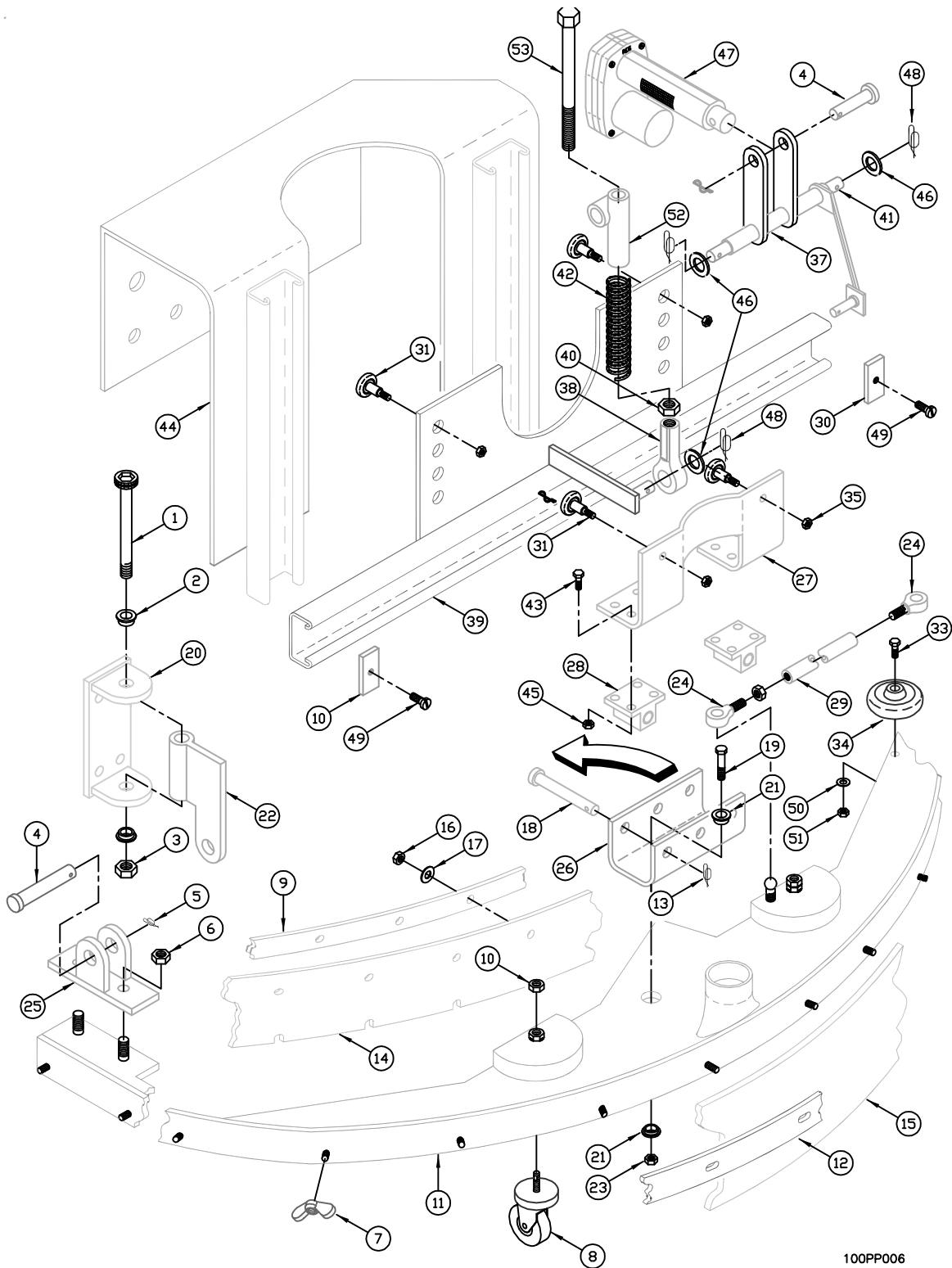
100PP006

REAR SQUEEGEE ASSEMBLY 85 & 95

Item	Part Number		Description	Qty.
	85	95		
1		3324131	SCR-"B" SOCKET HEAD CAP 3/4-10 X 7	1
2		3324130	BUSHING-FLANGE 0.751 ID	2
3		3400794	NUT-PRESS ELASTIC 3/4-10 ZP	1
4		3308225	PIN-CLEVIS 1/2 X 2.00 ZP	2
5		3400124	PIN-COTTER 5/8 RUE-RING	3
6		3400071	NUT-HEX 1/4-20 ZP	2
7		3400789	NUT-WIN 5/16-18 ZP	15
8		3300434	CASTER-SQUEEGEE SPECIAL	2
9	3324031	3329895	STRAP-SQ INNER	1
10		3400005	NUT-HEX 5/8-11 UNC	2
11	3324040	3324149	ASSY-WD SQUEEGEE TOOL	1
12	3324035	3329894	STRAP-SQUEEGEE OUTER	1
13		3400124	PIN-COTTER 5/8 RUE-RING	2
14	3324037	3324143	SQUEEGEE-RUBBER MAIN INNER	1
15	3324038	3324142	SQUEEGEE-RUBBER MAIN OUTER	1
16		3400789	NUT-WING 5/16-18 ZP	16
17		3400233	WASHER-FENDER 5/16 1.00 OD	16
18		3400111	PIN-CLEVIS 5/8 X 6.00 ZP	2
19		3400020	SCR-HEX, 1/2-13 X 2.00 ZP	1
20		3324050	ASSY-WD SQ ADJ.	1
21		3300432	BUSHING-FL-52-4	2
22		3324053	ASSY-WD ROCKER SQ ADJ.	1
23		3400078	NUT-HEX 1/2-13 ES ZP	2
24		3300457	BALL JOINT-0.50 BORE	2
25		3324056	ASSY-WD PIVOT SQ ADJ	1

**\*\*NOTE\*\*** When no part number is present in 85 column part number is the same as number listed for the 95 series

SQUEEGEE ASSEMBLY 85 & 95



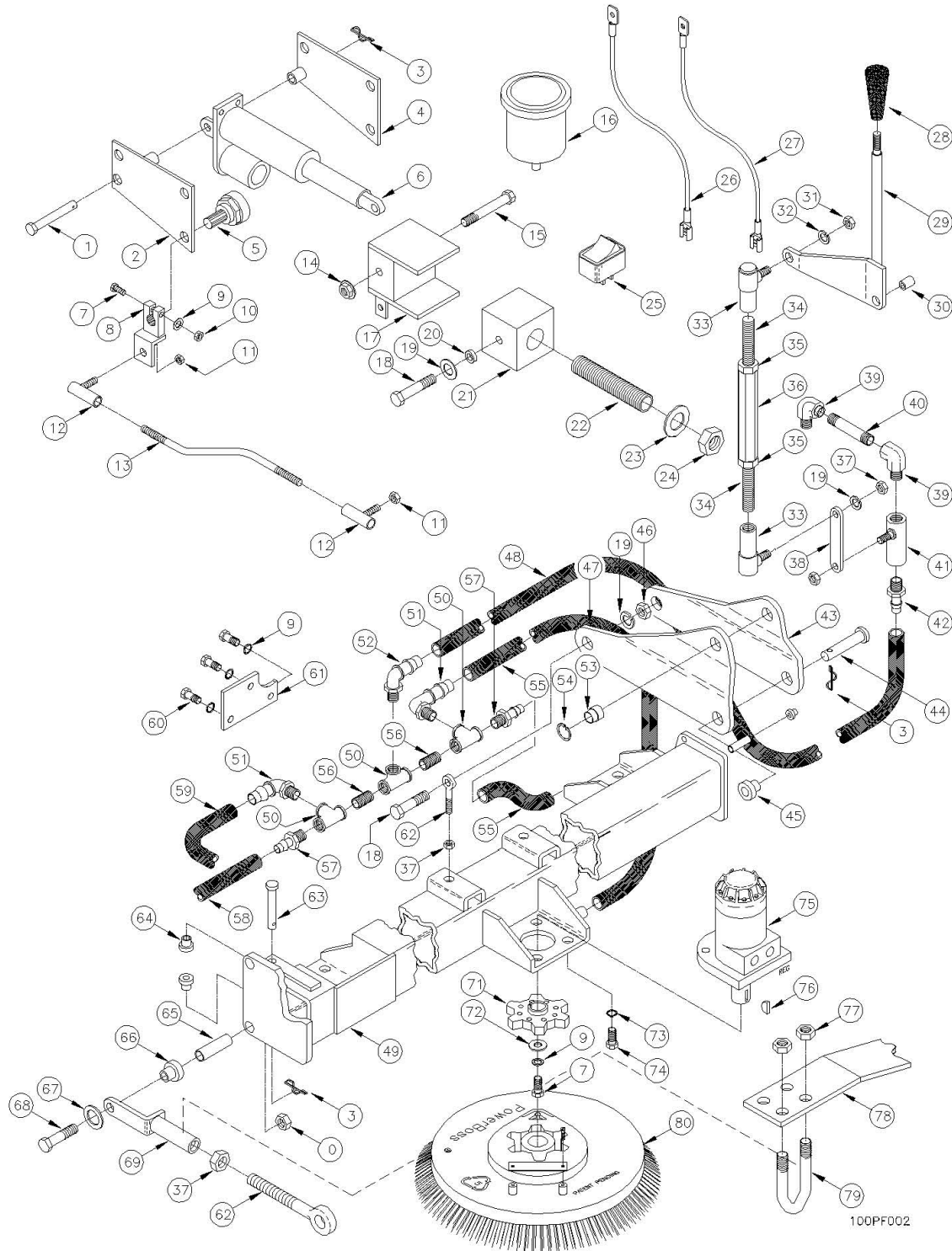
100PP006

SQUEEGEE ASSEMBLY 85 & 95

Item	Part Number		Description	Qty.
	85	95		
26		3324059	MNT-SQ ROLLERS	1
27		3324060	BRACKET-SQ ROLLER	1
28		3324062	BLOCK-CLOSED PILLOW	2
29		3315601	BAR-LOWER SQUEEGEE LINKAGE	1
30		3324064	END STOP TSS	2
31		3323098	ROLLER-HARDENED CROWN	12
32		3315756	ROD END-MALE W/STUD RH	1
33		3400038	SCR-HEX, 5/16-18 X 2.25 ZP	1
34		3308158	WHEEL-ROLLER	1
35		3400390	NUT-FLANGE LOCK 5/16-18	10
36		3400184	PIN-CLEVIS 5/16 X 1-1/8 ZP	2
37		3324075	ASSY-WD SQ LIFT SHORT	1
38		3329959	ROD END-1/2 FEMALE	2
39		3324077	ASSY-PLATE RAIL SQ LIFT	1
40		3400075	NUT-HEX JAM3/8-24 ZP	1
41		3324079	PIN-SWIVEL SQU LIFT E/SC	1
42		3315794	SPRING	1
43		3400044	SCR-HEX, #10-32 X 0.75 ZP	8
44		3324126	ASSY-WD MNT PLT SQ LIFT	1
45		3400172	NUT-HEX JAM #10-32 ES ZP	8
46		3311012	WASHER-HD SPACER SEC LIFT ARM	2
47		3324085	ACTUATOR-SQ LIFT	1
48		3400661	PIN-COTTER 3/4 RUE-RING	2
49		3400042	SCR-HEX, 1/4-20 X 0.75 ZP	2
50		3400233	WASHER-FENDER 5/16 1.00 OD	2
51		3400080	NUT-HEX 5/16-18 ES ZP	1
52		3329844	WELD-SLIDE EDGE SCRUB	1
53		3400824	HHCS-3/8-24 X 5-1/2 ZP GR5	1

**\*\*NOTE\*\*** When no part number is present in 85 column part number is the same as number listed for the 95 series

SCRUB HEAD ASSEMBLY 85 & 95

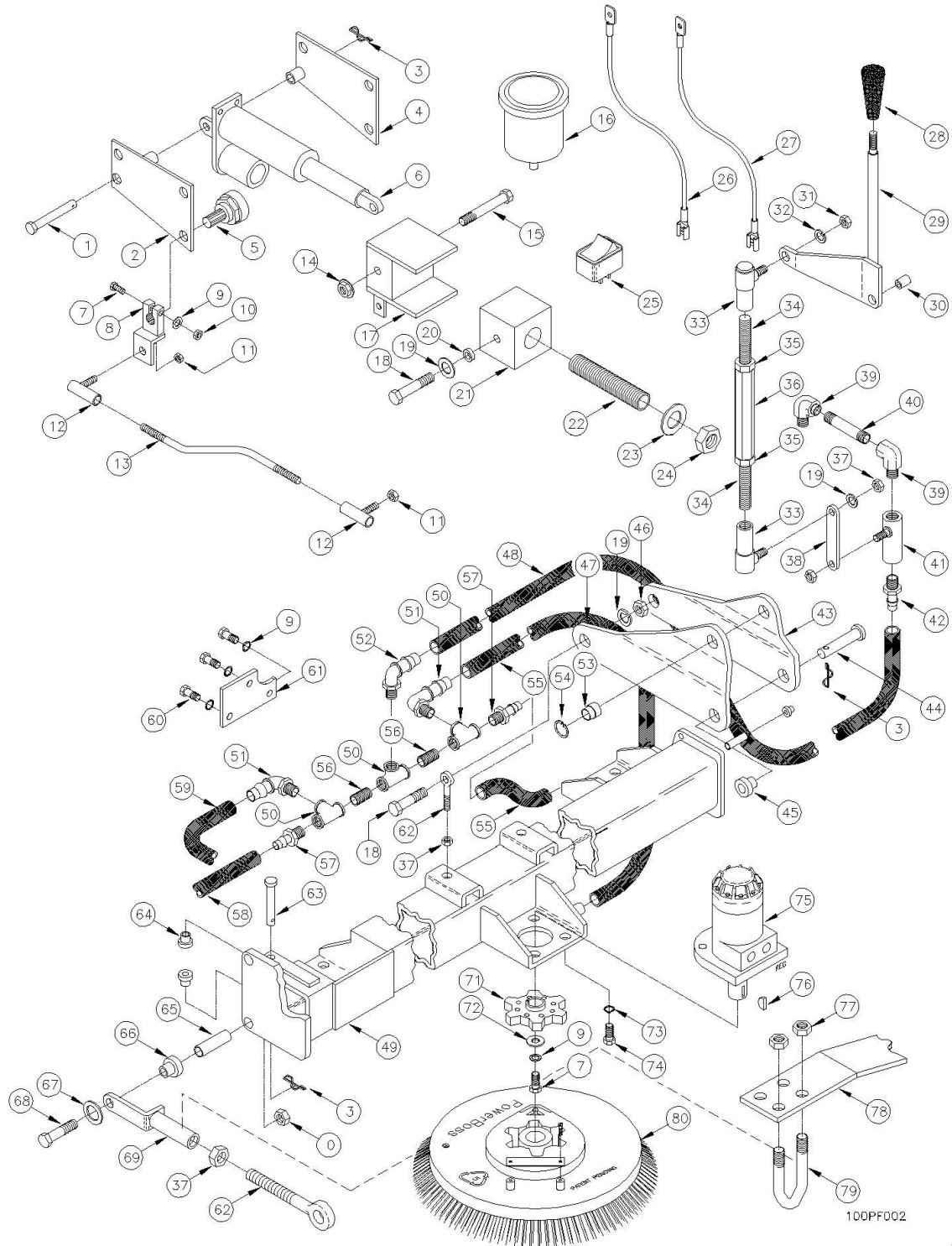


100PF002

SCRUB HEAD ASSEMBLY 85 & 95

Item	Part Number		Description	Qty.
	85	95		
1		3400302	PIN - CLEVIS 1/2 X 5.00 ZP	1
2		3303544	ASSY - MOUNT ELEC CYL HS RH PNTD	1
3		3400124	PIN - COTTER 5/8 RUE - RING	1
4		3303543	ASSY - MOUNT ELEC CYL HS LH PNTD	3
5		3303465	ASSY - POTENTIOMETER ELEC SC HD	1
6		3302775	ACTUATOR - POWER SCRUB HEAD LIFT	1
7		3400041	SCR - HEX, 1/4- 20 X 0.88 ZP	3
8		3303299	WELDMENT - GAGE LIFT ARM PLTD	1
9		3400103	WASHER - LOCK 1/4 SPLIT ZP	4
10		3400071	NUT - HEX 1/4 - 20 ZP	1
11		3400373	NUT - HEX JAM 1/4 - 28 ES ZP	1
12		3301199	BALL JOINT - 1/4 - 28	2
13		3303296	LINKAGE - SCRUB HEAD GAGE PLTD	1
14		3400317	NUT - HEX JAM 1/2 - 13 ES ZP	1
15		3400020	SCR - HEX, 1/2 - 13 X 2.00 ZP	1
16		3303258	GAGE - DOWNPRESSURE SC HEAD	1
17		3303309	ASSY - SCRUB HEAD PIN PNTD	1
18		3400017	SCR - HEX 5/8 - 11 X 1.75 ZP	3
19		3400097	WASHER - LOCK 5/8 SPLIT ZP	1
20		3303224	SPACER - ELEC SH LIFT PLTD	4
21		3303227	BLOCK - PRESSURE PLTD	1
22		3303218	SPRING - COMPRESSION 1.00 DIA	1
23		3303225	RETAINER - ELEC S-HEAD LIFT PLTD	1
24		3400188	NUT - HEX JAM 1/2 - 20 ES	1
25		3303307	SWITCH - 2 PDT	1
26		3303467	HARNESS - IGNITION	1
27		3303308	HARNESS - ELEC SCRUBHD LT	1
28		3300558	KNOB - TAPERED #145 BLACK	1
29		3309909	WELDMENT - SOLUTION LEVER HI CAP	1
30		3302420	SPACER - LEVER SOL VALVE PLTD	1
31		3400070	NUT - HEX 5/16 - 18 ZP	1
32		3400102	WASHER - LOCK 5/16 SPLIT ZP	1
33		3300460	BALL JOINT - 5/16	2

SCRUB HEAD ASSEMBLY 85 & 95

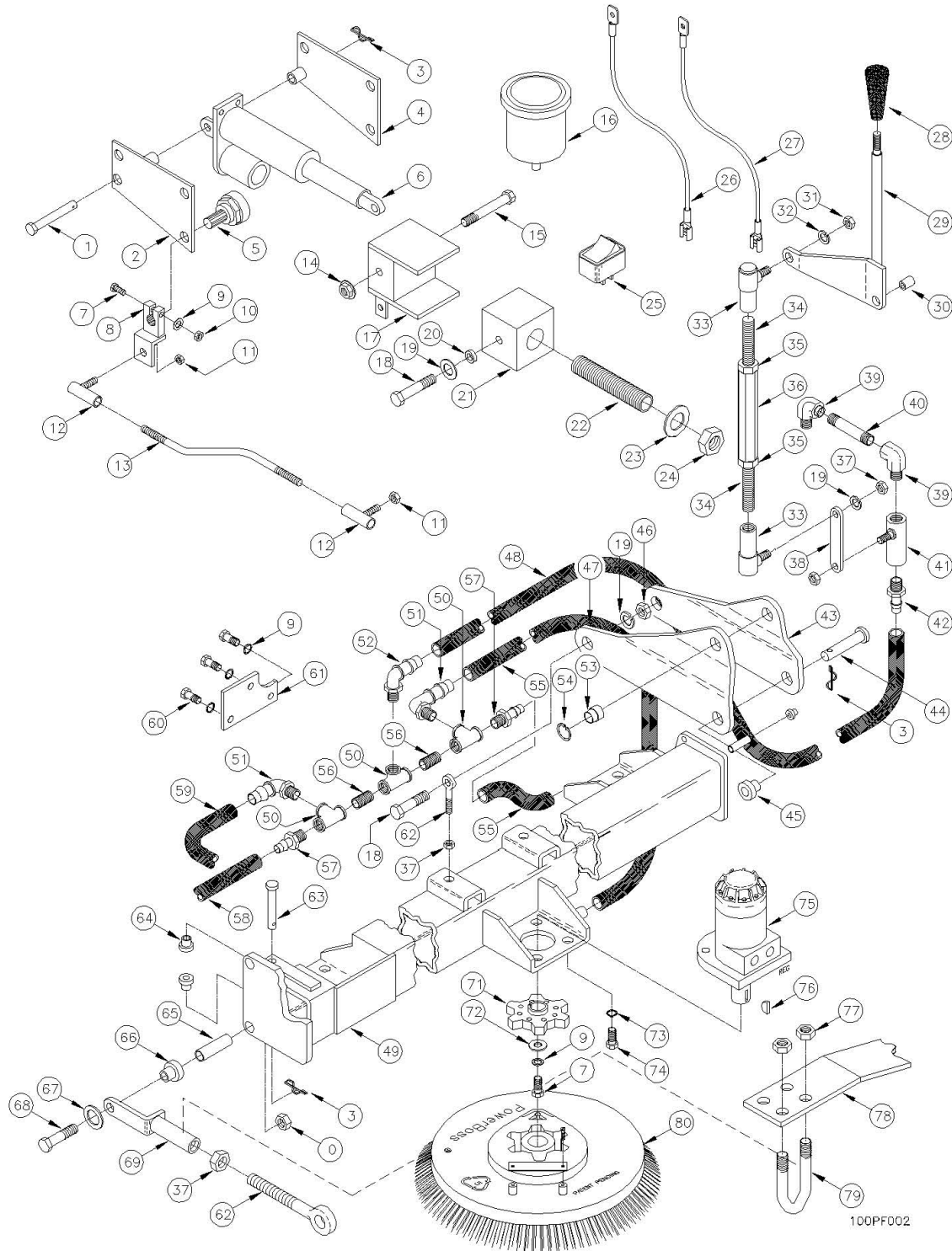




SCRUB HEAD ASSEMBLY 85 & 95

Item	Part Number		Description	Qty.
	85	95		
34		3301398	ROD SOLUTION	2
35		3400069	NUT - HEX 5/16 - 24 ZP	2
36		3303502	STAND/OFF THREADED ADJUST LINK	1
37		3400192	NUT - HEX JAM 5/8 - 11 ZP	2
38		3300027	ARM - SOL VALVE PLTD	1
39		3400238	FTG - 90 EL 3/4 MPT - 3/4 FPT	2
40		3400410	FTG - NIPPLE BRASS 3/4 X 5.00	1
41		3300330	VALVE - 2 WAY SOLUTION	1
42		3300802	FTG - ADAPTOR 3/4 MPT	1
43	3303240	3303238	ASSY - LIFT ARM SCRUB HD LH PNTD	1
44		3400111	PIN - CLEVIS 5/8 X 6.00 ZP	1
45		3300550	BUSHING - FLANGED	2
46		3400074	NUT - HEX JAM 5/8 - 18 ZP	2
47	3303241	3303239	ASSY - LIFT ARM SCRUB HD RH PNTD	1
48		3309077	HOSE - SOL VALVE TO SOL TANK	1
49	3316746	3315334	WELDMENT - SCRUB HEAD	1
50		3315769	FTG - TEE 1/2 FPT BRASS	1
51		3315535	FTG - 90 DEG 1/2 ID X 1/2 MPT	2
52		3315536	FTG - 90 DEG 3/4 ID X 1/2 MPT	1
53		3303219	BEARING - SPHERICAL PLAIN	2
54		3303217	RING - RET INT .87	2
55		3315758	HOSE - 5/8 OD X 1/2 ID X 14" LG	1
56		3305281	FTG - NIPPLE CLOSE 1/2 MPT	1
57		3315534	FTG - 1/2 ID TUBE X 1/2 MPT	1
58		3315760	HOSE - 5/8 OD X 1/2 ID X 25" LG	1
59		3321350	HOSE - 5/8 OD X 1/2 ID X 9" LONG	1
60		3400149	SCR - HEX 1/4 - 20 X 1.50 ZP	3
61		3315757	BAR - RETAINER FTG E/SC	1
62		3300457	BALL JOINT - .50 BORE	2
63		3400751	PIN - CLEVIS 1/2 X 4.00 ZP	2
64		3300432	BUSHING - FL - 52 - 4	2
65		3302411	SLEEVE - LIFT ARM SPACER	2

SCRUB HEAD ASSEMBLY 85 & 95



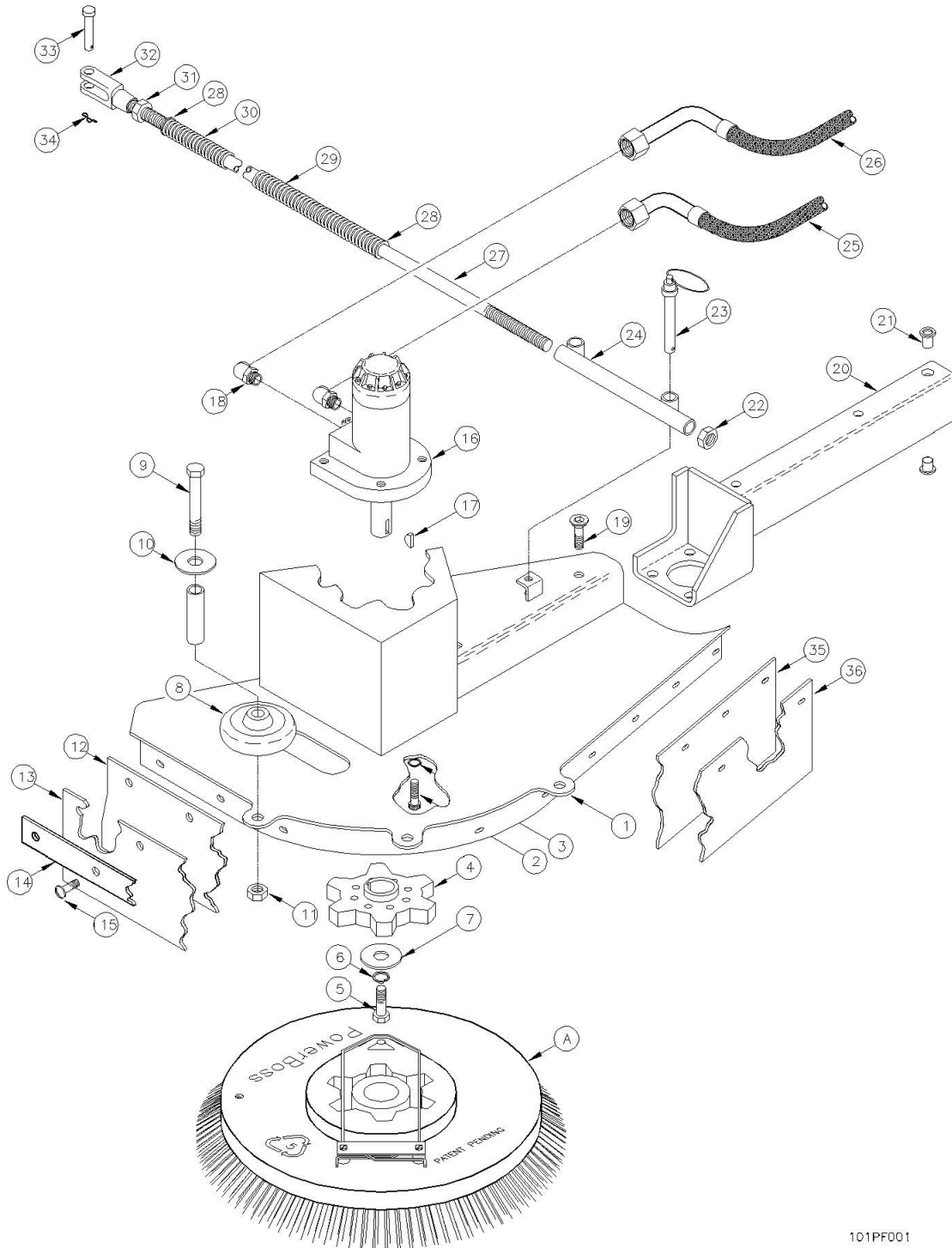
100PF002

SCRUB HEAD ASSEMBLY 85 & 95

Item	Part Number		Description	Qty.
	85	95		
66		3300432	BUSHING FL-52-4	2
67		3400087	WASHER - FLAT 3/8 STANDARD ZP	2
68		3400027	SCR - HEX 3/8 - 16 X 1.75 ZP	2
69	3316786	3301089	ASSY - ARM LIFT FULL PNTD	2
70		3400079	NUT - HEX 3/8 - 16 ES ZP	2
71		3324451	HUB - SCRUB BRUSH DRIVE 1" I.D.	3
72		3400668	WASHER - FENDER 1/4 X 1.25 OD ZP	3
73		3400101	WASHER - LOCK 3/8 SPLIT ZP	3
74		3400032	SCR - HEX 3/8 - 16 X 0.75 ZP	3
75		3316896	MOTOR - HYD H-SERIES SC HD PNTD	3
76		3302082	KEY - HYD MOTOR CURB BRM	3
77		3400392	NUT - FLANGE LOCK 3/8 - 16	8
78	3316741	3315665	BAR - SWAY EDGE SCRUB	1
79		3400664	U- BOLT - V BEND	4
80	3313125	3313126	BRUSH - SCRUB NYLO-GRIT	3
	3313127	3313128	BRUSH - SCRUB STRATOGRIT	3
	3313131	3313132	BRUSH -SCRUB WIRE	3
	3313133	3313134	BRUSH - SCRUB BUTCHER WIRE	3
	3313135	3313136	BRUSH - SCRUB NYLON	3

**\*\*NOTE\*\*** When no part number is present in 85 column part number is the same as number listed for the 95 series

BRUSH GUARD ASSEMBLY 85 & 95



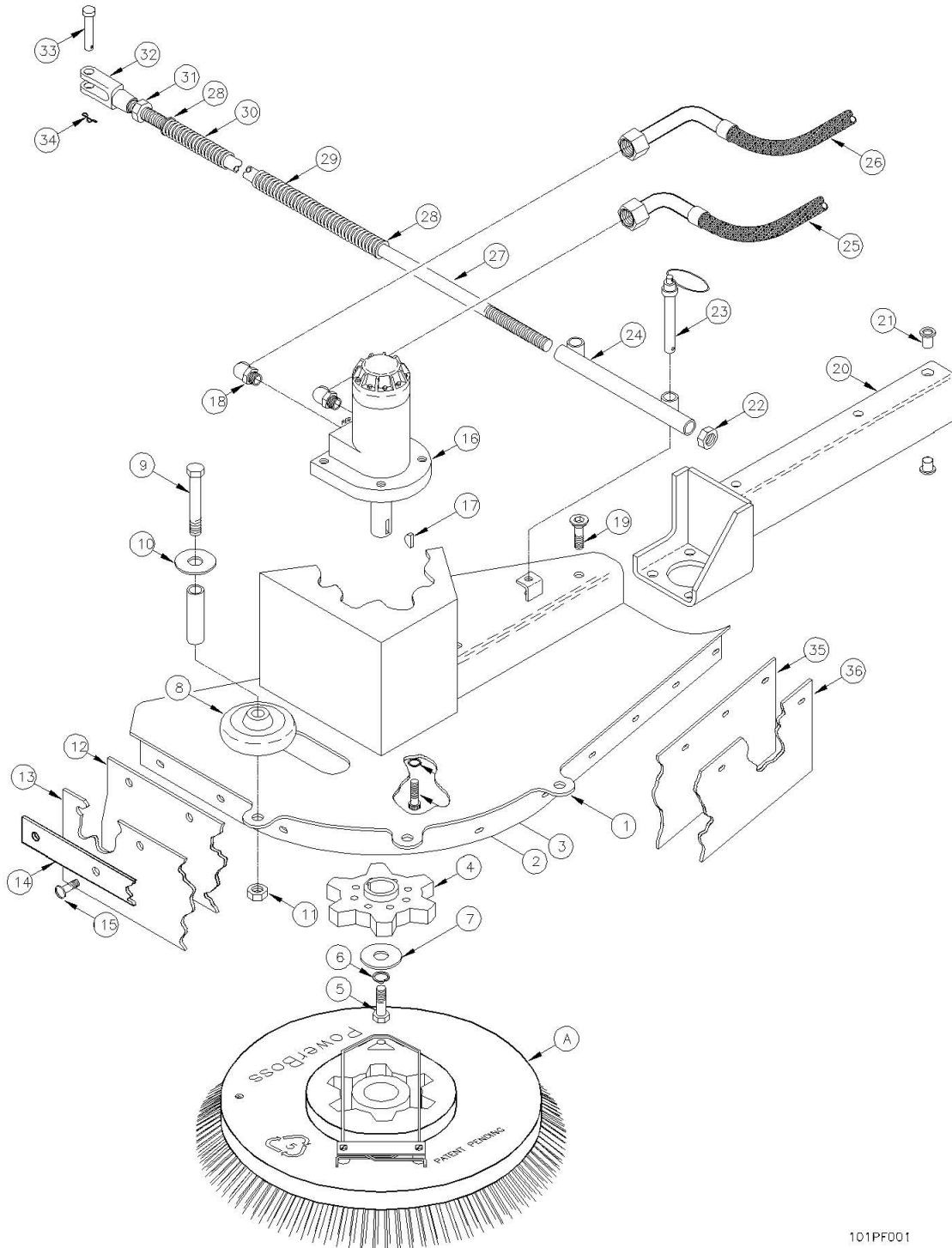
101PF001

BRUSH GUARD ASSEMBLY 85 & 95

Item	Part Number		Description	Qty.
	85	95		
1	3316749	3315705	WELD - BRUSH GUARD E/SC	1
2		3400032	SCR - HEX 3/8 - 16 X 0.75 ZP	1
3		3400101	WASHER - LOCK 3/8 SPLIT ZP	1
4		3324451	HUB - SCRUB BRUSH DRIVE 1" I.D.	1
5		3400041	SCR - HEX 1/4 - 20 X 0.88 ZP	1
6		3400103	WASHER - LOCK 1/4 SPLIT ZP	1
7		3400668	WASHER - FENDER 1/4 X 1.25 OD ZP	1
8		3308158	WHEEL - ROLLER 3" OD SQUEEGEE	1
9		3400311	SCR - HEX 5/16 - 18 X 1.75 ZP F'THD	1
10		3400233	WASHER - FENDER 5/16 1.00 OD	1
11		3400080	NUT - HEX 5/16 -18 ES ZP	1
12	3316753	3315712	SQUEEGEE - BRUSH GUARD	1
13	3316755	3315713	SKIRT - BRUSH GUARD	1
14		3315711	STRAP - BRUSH GUARD	1
15		3400665	SCR - THM 5/16 - 18 X 1.50 ZP	1
16		3316896	MOTOR - HYD H-SERIES SC HD PNTD	1
17		3302082	KEY - HYD MOTOR CURB BRM	1
18		3400158	FTG - 45 7/8 - 14 TO #8	1
19		3400444	SCR - FLT 3/8 - 16 X 1.00, SOC	1

**\*\*NOTE\*\*** When no part number is present in 85 column part number is the same as number listed for the 95 series

BRUSH GUARD ASSEMBLY 85 & 95



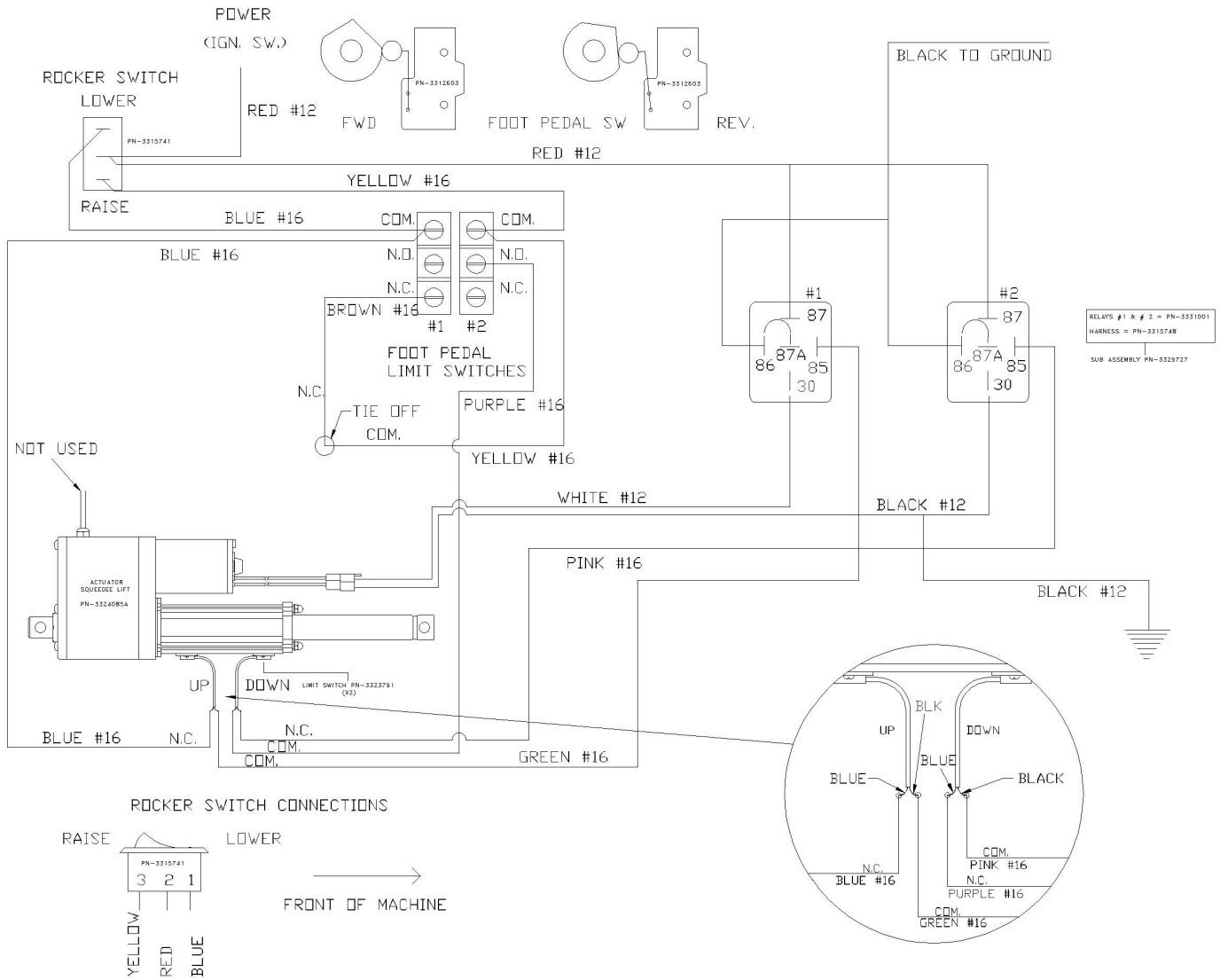
101PF001

BRUSH GUARD ASSEMBLY 85 & 95

Item	Part Number		Description	Qty.
	85	95		
20		3315329	WELDMENT - PIVOT SCRUB HEAD	1
21		3300432	BUSHING - FL - 52 - 4	1
22		3400342	NUT - HEX 3/8 - 24 ES ZP	1
23		3400126	PIN - HITCH 1/2 X 1.50 ZP	1
24		3315668	WELD - STAY ARM EDGE SCRUB	1
25		3315783	HOSE - 1/2 AR 42. ST#8 90LG #8	1
26		3315782	HOSE - 1/2 AR 31. ST#8 90S #8	1
27	3316748	3315842	ROD - STAY ARM	1
28		3400087	WASHER - FLAT 3/8 STANDARD ZP	2
29		3315794	SPRING - EDGE SCRUB STAY ARM	1
30		3315751	SPRING - STAY ARM EDGE SCRUB	1
31		3400067	NUT - HEX 3/8 - 24 ZP	1
32		3301997	PIN - ROT CYL OUTER PLTD	1
33		3400117	PIN - CLEVIS 3/8 X 1 - 1/8 ZP	1
34		3400125	PIN - COTTER 3/8 RUE - RING	1
35	3316754	3315912	SQUEEGEE - BRUSH GUARD FRONT	1
36	3316752	3315911	SKIRT - BRUSH GUARD FRONT	1
A	3313125	3313126	BRUSH - SCRUB PLAS NYLO-GRIT	1
	3313127	3313128	BRUSH - SCRUB PLAS NYLO-GRIT	1
	3313131	3313132	BRUSH - SCRUB PLAS WIRE	1
	3313133	3313134	BRUSH - SCRUB PLAS BUTCHWIRE	1
	3313135	3313136	BRUSH - SCRUB PLASTIC NYLON	1

**\*\*NOTE\*\*** When no part number is present in 85 column part number is the same as number listed for the 95 series

WIRING SQUEEGEE LIFT 85 & 95





WIRING SQUEEGEE LIFT 85 & 95

Part Number	Description	Qty.
3312603	SWITCH FOOT PEDAL	2
3315741	SWITCH ROCKER SQUEEGEE LOWER/LIFT	1
3323791	SWITCH REED (UP/DOWN LIMIT STOP )	2
3324085	ACTUATOR	1
3331001	RELAY (LIFT/LOWER)	2
3315748	HARNESS (NOT SHOWN)	1
3329727	SUB ASSEMBLY (HARNESS & RELAYS)	1

SIDE SQUEEGEE ASSY:3316793

SIDE BLADE R.H. 3316760  
SIDE BACKUP BLADE: 3316761



***“The Power of Clean”***

---

**PowerBoss Is A Full Line Manufacturer Of Sweepers and Scrubbers For  
Industrial Facilities.**

PowerBoss, Inc 175 Anderson Street P.O. Box 1227- Aberdeen North Carolina 28315

Phone: 800-982-7141 - Fax: 1-800-277-7141 Local: 910-944-2105 Fax: 910-944-7409 e-mail: [techsupport@powerboss.com](mailto:techsupport@powerboss.com)

**A Member Of The Hako Group**